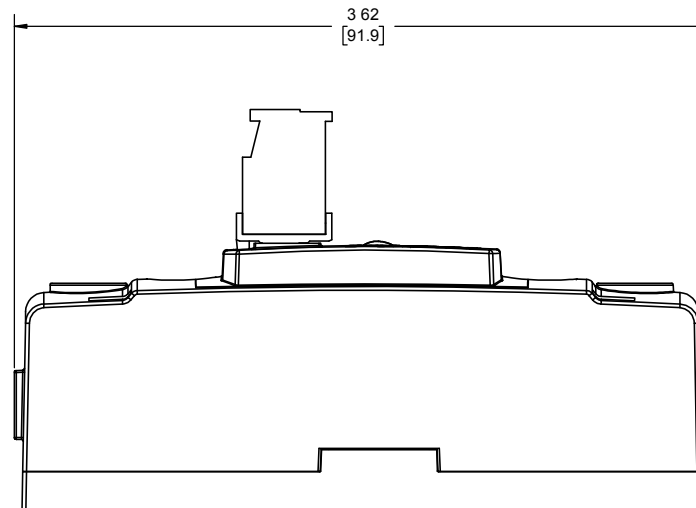
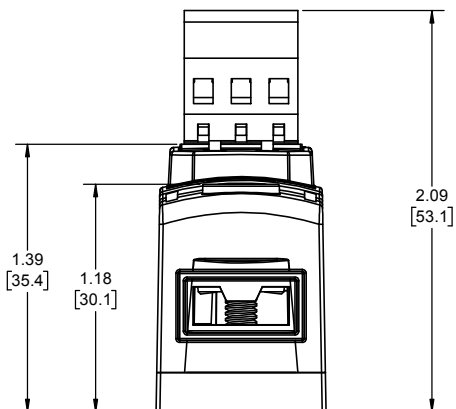
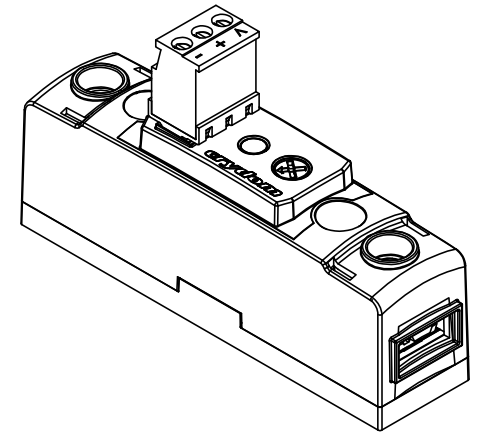


SCREW 8-32 STUD
ELEVATOR PROF LE 1/4 48 UNS
(2 PLACES)



Tolerances: ± 0.02 in / 0.5 mm. All dimensions are in: inches [millimeters]